

CROSSTALK  
PUBLISHED BY AND FOR THE  
GLOUCESTER COUNTY AMATEUR RADIO CLUB  
an ARRL affiliated club  
(W2MMD)

G.C.A.R.C. OFFICERS

PRESIDENT	RAY METZGER	WB2BZY
VICE PRESIDENT	RAY MARTIN	WB2LNR
TREASURER	ROSE ELLEN BILLS	N2RE
RECORDING SECT.	STEVE BLASKO	W2TDS
CORRESPONDENCE SECT.	MARY PETRUZZI	AE2Y

DIRECTORS

BILL BACHMAN	WA2VEE
DAVID BACON	WB2ONW
BILL HELMETAG	WA2VQG
GARY HITCHNER	WA2OMY
JACK KESSEL	AB2W
MARK WILLSON	AA2Z

TRUSTEES

BARRY CAMPBELL	W2YZ
BILL FRAMBES	WB2FJE
JOHN KULL	WB2GKH
JACK WHITE	WA2MEM

---

THE REGULER MEETING OF THE G.C.A.R.C. IS THE FIRST WEDNESDAY OF EACH MONTH AT THE NATIONAL PARK MUNICIPAL HALL, NATIONAL PARK, N.J. THE MEETING STARTS AT 8:00 PM. ALL HAMS AND GUESTS ARE INVITED TO ATEND.

---

Club nets:

2	Meter FM	78/18	Sunday	8:00 PM
6	Meter AM	50.9	Sunday	9:00 PM
10	Meter SSB	28.8	Friday	9:30 PM
15	Meter CW	21.175	Friday	7:30 PM
80	Meters CW	3.680	Anytime	just call.

Lets try to help support our nets. Try to check into two nets a week and invite someone outside the club to join in the fun.

---

Send all articles to be printed in CROSSTALK to Jack Kessel/AB2W;

The cutoff date for articles for next months CROSSTALK, can be found elsewhere in this issue.

---

Crosstalk is published monthly, and is available to other clubs on a exchange bais. Information may be reprinted if credit is given to the G.C.A.R.C. The opinions in the editorial section are those of the editor and do not necessarily reflect the views of the Gloucester County Amateur Radio Club. Any opinions to editorials will be printed, if sent to the editor.

CORNER

...to let someone-else take over the reins. I ... but it has been fun. Like every-thing it has ... think the club had a fairly good year. The ... The Fund Raising Comm. did ... the leader-ship of Jen Martin, and helped the bank acc. Then ... by Mark Wilson. It turned out to be one of the best ... Wayne Wood and his comm. did a fine job, in giving us ... with a lot of fun. That really finished off the years ac- ... Membership has hit an all time high, with the help of a bunch of ... with the club class. A lot of credit to them. It ... and I hope that it continues to grow. ... that helped my job go much bet- ... and will miss the monthly Directors Meetings. ... some fun along the way also. ... to cater you at the Dec meeting for the elections. Let's ...

(RAY / AI2B)

\*\*\*\*\*

DIRECTORS MEETING  
NOV. 15, 1978

The Nov. meet. came to order at 8:10 and in attendance was: Ray/AI2B  
Steve/W2TDS, ... NZRE, Mary/AE2Y, Bill/WA2VQG, Gary/WA2OMY, Bill/WA2VEE,  
Dave/WB2CHM, Mark/AA2Z and Jack/AB2W.

CONGRATULATE NEW MEMBERS voted in:

Enoch W...  
Steve Blasko (same as W2TDS) Asso. Member.

N2'e rec'd a letter from W2YC as to how long we should keep the club records.  
Dave advised Rose that we need only keep them for Six years. Rose now has on  
hand records from the past 19 years.

AB2W made a motion to donate money to the Personal Radio Foundation. The mo-  
tion was aproved and \$25 was voted to be donated.

AE2Y Was asked to get in touch with W2YC, to see if he would hold the material  
from the foundation.

AA2Z ... GREAT thought Mark.

\*\*\*\*\*

I would like to take this time to wish everyone in the club,  
the very best of the holiday season. I think one of the club's  
biggest assets is the goodwill and fellowship among the members.  
It seems whatever the problem, there is someone there to help.  
With a spirited group like this, I don't see how our club can  
do anything, but to continue to grow and prosper.

Merry Christmas and Happy Hanukkah. (AB2W)

\*\*\*\*\*

SALE: SB 200, Horizon - (2 , 2 meter rig. Bill/WB2FJE



## ELECTION NIGHT

The election for the officers of the GCARC will be held at the next meeting. Dec. 6; So if you want a say on who the new officers are going to be, come on out and cast your vote. Below are the positions open and the candidates nominated for them at the Nov. meeting. You still have a chance to nominate a candidate of your choice at the next meeting, before the voting starts.

### PRESIDENT

Ray Martin - WB2LNR  
Rose Ellen Bills - N2RE  
Jack Kessel - AB2W

### VICE PRESIDENT

John Bokoles - W2KI

### 3 YEAR DIRECTOR

Josh Brehm - AE2L  
Sonny Gutin - WB2DXB

### RECORDING SECT.

Mary Jo Daraklis - N2AJG

### CORRESPONDENCE SECT.

Roslyn Marder - N2AKL

### 4 YEAR TRUSTEE

Fred Cowgill-WB2GEK

So come out and vote. Coffee and Doughnuts for all who attend. (for a slight donation)

\* \*\*\*\*\*

### BREAK, BREAKER AND BROKE

The Webster dictionary defines the word "break" 18 different ways. Let me give you a few: A. to cause to come apart by force. B. to make unusable or inoperative by disrupting. C. to disrupt the order or completeness. What can you break? You can break a glass; you can break a conversation. If you do that you are the "breaker". What kind of breakers do we have? We have circuit-breakers, ice-breakers, bottle-breakers and "ham"-breakers. Most people let the ham breakers get into conversations because they don't know what they are going to say. (It's like answering the phone; you do it because you don't know what someone is calling for) So to say "break" in the middle of a conversation shows lack of consideration for your fellow amateur. Now let me suggest a concept. The word break implies importance; we should use such a word to report emergencies only. A traffic accident justifies the word "break"; a "break-break" implies a very serious emergency like someone bleeding to death. If you feel like getting into an existing repeater conversation, wait for the talker to drop his carrier and before the beep say your call. You are now telling those fellow amateurs that you want in. You are also saying that you don't have an emergency to report. Common courtesies will be the executive ingredient for such actions. If someone decides to "break" be prepared to help him immediately. If someone double-breaks, be prepared to go into full emergency conditions, In both cases the breaker should have priority and further conversation should cease. You will find that by just saying your call before the beep, people will greet you by name (if they know who you are) and will let you in for the existing conversation, and will not be extremely upset that you broke into their qso.

(WORLD RADIO)

\*\*\*\* \*\*\*\*\*

CONGRATULATIONS TO JOYCE and chick NAYLOR. Parents of a new baby girl, weighing in at 7#. Good Luck to the Naylor's....



- BARBADOS DX-PEDITION -

Wasn't it nice having a foreign Ham visit our club meeting last month! You might say, I don't remember any foreign visitor. Well he was in disguise. We had 8P6KL present, but to most of us I still look like WB2ONW.. Hi, Hi... 8P6KL was the call I had on a recent to Barbados. Before leaving for 8P6 on a recent business trip I dropped a line to a chap I worked during a contest, 8P6ES. I wrote Allen telling him of my upcoming visit to his country and my hope of visiting him and possibly working his station and also of how I could get my own 8P6 call. Before leaving I was also able to contact Nita/8P6GW who invited my YI and myself to visit her home and meet her and her OM, Arthur/8P6GG. Well guys let me tell you how nice it is to be on the other end of a pile-up. One Sunday we went to Nita's and Arthur's home and had a very nice visit. Nita had prepared a customary snack of tea and banana bread. We spent quite a bit of time talking about Ham Radio. I found that most Hams on the Island do not have elaborate shacks as you find in the U.S. Most equipment is home brew but you do find some old transceivers. It happened to be my daughter's birthday so I asked Arthur if I could use his call to get back to South Jersey to WA2OOL to somehow pass our good wishes on to her. I started calling CQ South Jersey and before I knew what was happening the whole U.S. was calling back to me, what an experience that was!!! I bet from Barbados you could work all the states in one afternoon. I never did get South Jersey, but what fun I had trying!!!! In talking to Arthur and Nita I learned two very important things. In Barbados an IRC is worth about 15¢, so Arthur pointed out that it would be much better and cheaper for U.S. Hams to send him \$1.00 instead of three IRCs. I also learned from working Arthur's station that U.S. hams are very impatient. I asked Arthur about this and he said we come in second behind the Japanese. I guess there is a lesson to be learned. I could not believe the U.S. hams on the other end trying to break in. That Monday while my YL was shopping in Bridgetown, I went to the ministry of communications to try and obtain a license. After showing the electrical inspector my U.S. license which, by the way, he had to laugh at how small it was in comparison with their four page license. Well I filled out a two page questionnaire and within 15 minutes and \$7.50 I had my ticket to operate. Some interesting points about the Barbados license are:

1. Max. input power is 500 watts.
2. Band allocations are the same as ours except you may operate the following mode on any portion of the band A1, A2, A3, and A3J
3. There is no 220 or 430 band privileges.
4. QSOs can be no longer than 10 minutes.
5. New amateurs must pass 13 wpm code test with same theory.
6. There is no upgrading.

The Inspector also asked me whose transmitter I would be using, I told him I did not know and he said, "put anything down". Try that one on the FCC. That evening I visited Allen 8P6ES and again was greeted with welcome arms. I was planning to operate his station with my new call but Allen's antennas were down due to a recent wind storm. I don't have to tell you how disappointed I was not to be able to operate with my new call. In closing I must say I guess this is what Ham Radio is all about. It is a great feeling to talk to a Ham in another part of the world and then meet them in person. (DAVE BACON/WB2ONW & 8P6KL)

## AMATEUR AWARDS

This month we are going to go to a much harder award than the DLD in last month's Crosstalk. To me this is about as hard of an award as you are ever going to try for. You can easily work DXCC, and not work this one. The award is WORKED ALL ZONES. (WAZ). This award is sponsored by CQ Magazine. You can get an application and zone map from CQ Magazine, 14 Vandeventer Avenue, Port Washington, Long Island, NY. 11050. Send a large addressed envelope and 1, IRC.

This will be the same zone map that is given out at the club for the CQ WW contest. The award is issued for all cw, all phone, 2 x ssb and mixed modes. Confirmed contacts are required with One station in each of the 40 zones. I know of two persons in the club who have the WAZ Award, N2CQ and W2SUA. There may be others but they are the only two that I know of. Myself I need zone 26 to complete the award. I hear a lot of stations from that zone on but to date have been unable to contact one. So for you wallpaper hangers, if you get this one on the wall you can be very proud of it. You might want to try to get into the contests that are on the air, this is a good way to pick up some of the countries that you will need.

Good Zone hunting

AB2W

\*\*\*\*\*

OHM --- an Englishman's home.....

\*\*\*\*\*

W6JAM, whose repeater jamming tactics and foul language got him "detained" by the federal authorities earlier this year has been indicted by a U.S. grand jury on three counts of using obscene and abusive language over the air in violation of U.S. Code Title 18, Section 1464. Indicted was Scott Lookholder, WB6LHB, a Technician Class Licensee of Granada Hills, California. His arraignment will probably take place Monday.

\*\*\*\*\*

H. R. REPORT.

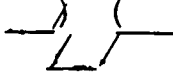
RUSSIA'S "RS" SATELLITES are up and operating after a successful launch late last Thursday, October 26. Beacon signals have been heard from both satellites at about 29.400 MHz. At least one transponder was in operation through the weekend, with a number of Amateurs in both North America and Europe working through it. (HR REPORT)

\*\*\*\*\*

Whenever you talk about a restaurant that you've been to you mention the food or the prices but the atmosphere is seldom mentioned. Well at the Moshulu, you get good food reasonable prices and a unique atmosphere. The Moshulu is a 73 year old sailing vessel that has been docked in the Penn's Landing area of the Philadelphia waterfront and converted into a restaurant. The unique atmosphere is obtained by placing all tables so that they have a view of the Philadelphia skyline or the waterfront through large picture windows. The Moshulu is located at the foot of Chestnut St., on the Delaware Ave. When you get to the Philadelphia side of the Ben Franklin Bridge, make a sharp right and go back under the bridge until you come to Delaware St. Turn right and go until you see the tall masts of the Moshulu on your left. Park just past the Moshulu..... (N2FZ)



LES BELLES

\$\$\$  
 \$ - - \$  
 \$ = \$  


Bertha Farr Eggert / WA4BMC is one of 10 YLs who are members of GCARC. In December of 1962 she got her General Ticket. She was still hot for traffic after being interested in ham radio when hurrecane Donna went through the Florida Keys. They were all boarded up and her son-in-law was there, listening to a Zenith overseas radio, which she had. He hollered, "hey mon, come here", he had picked up a couple of hams one in Maimi and one in Marathone on the Keys. They were passing emergency messages. They pried her away from that radio about three days later. She decided then and there to be a ham. This was the summer of 1960. She got some books, some code records, and to make a long story short, she got her Novice license May 29, 1961. and her Tech a few months later. She went right into traffic and had her BPL while still a Novice. She got all but 2 states with a Tech.

She then became interested in County Hunting, and she was the first ham to get all 3079 counties on one band/one mode. (all 20 meter SSB) Also the first YL to get them all. Her RTTY is a Model 28 hooked up by land line to the Coral Gables hurricane center. It prints straight English and gives out constant WX info. Including all bulletins on hurricanes.

She works 2 meter FM, 6 meter FM, and 450 FM. She has a five KW generator with automatic start, for when the lights go out and in hurricanes. She has her own WX station.

Bertha joined GCARC because she was from Gloucester County and was interested in what the hams are doing up this way. She also belongs to the SJRA, along with several other clubs. Berthas favorite bands are 20 mtr SSB, and 2 M FM.. Her station consists of over 10 individual sets of operation equipment. One of them being the collins S line.

( Rose Ellen/N2RE )

\*\*\*\*\*

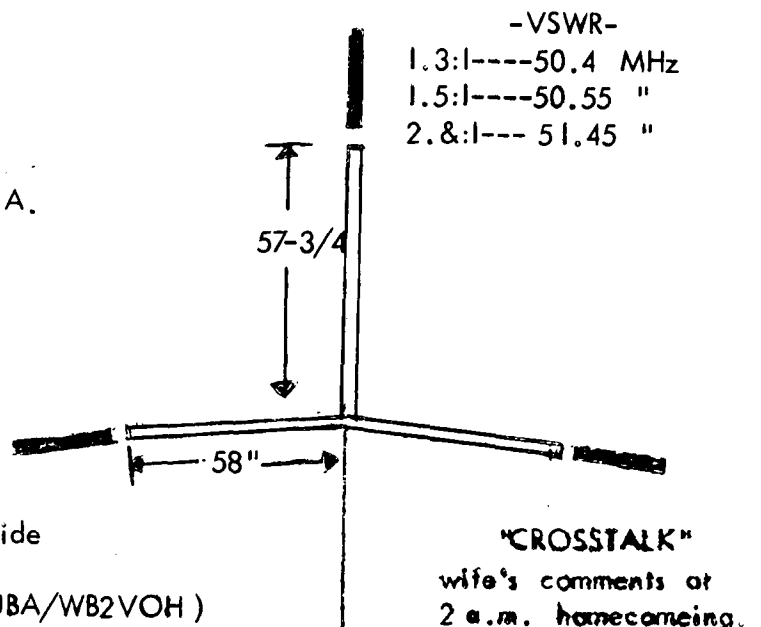
Bertha sounds like quite a Amateur, and we wish her all the best in her endeavors. May-be we will all get to meet you in person someday Bertha..73 & 88.... (AB2W)

\*\*\*\*\*

THE SIX METER SPECIAL

Haveing recently aquired a 6 meter rig, I started looking for a simple antenna for use with my HE-45B. (Gray Ghost) My first attempt was a coaxial antenna, wich didn't work so well. Over several weekends I did some on-the-air testing with the help of N2AIA. The antenna performed poorly because of high VSWR. One day I was looking for a good antenna site in my yard, when a thought struck me. Why not convert a CB antenna into a 6 mtr. one? The 1/4 wave ground plane was purchased at Radio Shack for about 16 dolars. The driven element and radials are made in 2 pieces of tubing. When you assemble it leave the outside tubes off. (black)

( C U ON SIX JOHN ZARUBA/WB2VOH )



- 25 YEARS -

A 25 year pin was presented to Della Parker/W2AFZ, for her continuous membership in the ARRL. The pin was presented by one of Connie Mac's allistants, (Rose Ellen Bills) at the november meeting. Congratulations Sella and welre proud to be in the same club with you. ( N2RE )

\*\*\*\*\*

TIME TO GET IT UP ! ( dues that is )

Of os gettomg near tjt to, e pf uear wjem dies wo;; be die pmce agaom. For those of you who like to pay early dues will be only \$7.50 if paid during the months of january, Feb. or March. After that they become \$9.00. If anyone has found they are having a problem and cannot find the money at this time, please see the Treasurer, Rose Ellen N2RE and perhaps something can be worked out. Lets keep the club membership up and bring money to the next meeting or else just make your check out to the GCARC and mail to the Treasurer. Rose Ellen Bills,

\*\*\*\*\*

For Sale: Heath Apache TX-1 80-10 Meters, CW/AM with SB-10 SSB adapter. Exellent cond. Extra finals. \$175.00 WB2GES  
Heath SB-102, matching spek. & station cons. wid clock P/patch, swr met., timer. Exellent

\*\*\*\*\*

RADIO SHACK  
working on something and need a part fast ? call  
JIM PECK/W2LVW  
Jim can help you with all your home entertainment  
RADIO, TAPE RECORDERS, HOME COMPUTERS  
a fine selection of RADIO SHACK home equipment  
PHONE (609) 468-0737  
across from J.M Fields-RT. 45 Wenonah, N J 08090  
RADIO SHACK

ENGRAVING & RUBBER STAMPS  
BY  
MILTON L. GOLDMAN  
(K3WIL)  
need rubber stamps, plastic signs, name tags  
for a large selection and reliable service  
PHONE (609) 456-0500  
801 Crown PT. Road Westville NJ 08093

\*\*\*\*\*

-- BOB'S ELECTRONICS--  
FOR  
RADIO AND TELEVISION  
SERVICE  
( at it's best )  
CALL BOB - WA2MMA  
609 - 468 - 0344

FRAMBES COMMUNICATIONS  
324 GRANDVIEW AVENUE  
PITMAN, N. J. 08071  
609 - 589 - 5293  
serving south jersey with Larson & Wilson  
ANTENNAS & RADIOS

Specialized -- Communications  
4 E. Barber Avenue. Woodbury, NJ 08096

give Bill/WB2FJE a call

\*\*\*\*\*

- AMATEUR AND ADVANCED COMMUNICATIONS -

3208 Concord Pike  
(Rt. 202 )

Wilmington, Del.  
(302) 478-2757

Amcomm Newtronics Kenwood Drake  
Yaseu Cushcraft Rohn Timpo  
Tri-Ex Mosley Dertron Icom

Large Selection

- and more-

Bill Ryan, General Manager and Gisele Walls. will REALY help you out. Give a call.

## CONTEST - MEGAPOINT - CONTEST

The contest season is well underway, with Sweepstakes and CQ Worldwide past. This month the phone CQ WW, scores are summarized, next month will show the SS results. Those who did not get their CQ WW, phone scores to me by november 24 have not had those points added to the MEGAPOINT standing. The CQ WW phone logs must have been postmarked by Dec. 1, to count. The following lists show the CQ WW, phone scores and the MEGAPOINT standings.

W2KI - 4,027,961	WA2OMY - 823,228	WB2FJE - 295,544
N2CQ - 3,631,821	W2YC - 750,000	WA2OOX- 281,500
AA2Z - 2,689,726	K2HPV - 439,482	WA2VEE - 268,500
AB2E - 2,053,948	K2JF - 403,324	WA2PFC - 253,562
K2PO - 1,273,803	WA2MMA - 326,400	W2SUA - 243,968
	WB2BZY - 221,000	N2SI - 115,692

### 1978 PHONE CQ WW

W2KI - multi single - 893,928	AB2E - 413,535	AA2Z - 314,580
K2PO - multi single - 137,200	N2CQ - 117,950	WA2OOL- 38,800
WA2VEE - multi single - 137,200		
WA2OOX- multi single - 137,200		
K2JF - 37,851		

\*\*\*\*\*

### PROPAGATION FORECAST FOR DECEMBER

160 Meters	Europe	1700 - 0300	7.0 - 7.35	Europe	1700 - 0200
	Mediterranean	1900 - 2300		USSR	1900 - 2300
	Africa	2200 - 0200		Middle East	2000 - 2200
	So. Pacific	0400 - 0700		Africa	1900 - 2130
	Caribbean So. Amer.	2200 - 0200		So. Pac. ZLs	0400-0800
				Carib. So. Amer.	1900 - 0200
3.5-4.0	Europe	1700 - 0200	21.0 - 21.45	Europe	0800 - 1300
	Africa	2200 - 0200		USSR	0800 - 1000
	So. Africa	1900 - 2200		Middle East, Mwd.	0900 - 1200
	Far East	0500 - 0700		Africa	1500 - 2000
	So. Pacific	0500 - 0700		So. East Asia	1000 - 1200
	Carib. & So. Amer	1900 - 0600		Far East	1800 - 2000
14.0 - 14.3	Europe	0700- 1600		So. Pacific	1800 - 2000
	USSR	0700 - 1030		Australasia	1800 - 2000
	Middle East&Med.	1300 - 1600		Caribbean et al.	0700 - 1900
	Africa	1500 - 2100		So. Amer.	1400 - 1900
	Asia	0700 - 0900			
	Far East	2000 - 2200	28.0 - 29.5	Europe	0900 - 1200
	So. Pac. et al.	2200 - 1000		West Africa	1000 - 1400
	Australasia	0700 - 1000		All Africa	1000 - 1500
	Caribbean et al.	0700 - 0000		So. East Asia	1000- 1100
	McMurdo, Antar.	2000 - 0400		Far East	1800 - 1900
				So. Pacific	1700 - 2000
				Caribbean et al.	0800 - 1700

( 73 - John/K2JF )