

January, 1971

- 1 -

VIP PAGE FOR "71"

(Congratulations to all New Officers!)

| | |
|--------------------------|--|
| President: | Bill Frambes, WB2FJE |
| Vice President: | John Stull, WB2JZX |
| Recording Secretary: | Harry McCormick, WA2SEA |
| Corresponding Secretary: | Della Parker, W2AFZ |
| Treasurer: | Paul Callaghan, WB2WAK |
| Directors: | George Stuart, K2SOL Jack Bowen, WB2WKV Bill Bachman, WA2VEE Phil Mattison, WA2WOD Ken Newman, W2FBF Doug Gehring, WA2NPD |
| Trustees: | Bill Bills, W2CDZ Wayne Wood, W2SUA Howard Carter, WN2OVQ Gordon Cooper, W2PAX |

* * * * *

UR X-TALK STAFF

| | |
|--------------|---------------------------------------|
| Editor: | Doug Gehring, WA2NPD, 468-5811 |
| YL Page: | (LES BELLES) Rose Ellen Bills, WA2FGS |
| Bulletins: | Della Parker, W2AFZ |
| Ramblings: | Mysterious(!) Ghost Writer |
| Technical: | Ken Newman, W2FBF |
| Typesetter: | Sue Frambes |
| Printer: | Bill Frambes, WB2FJE |
| Circulation: | Bill Shaw, WB2PVI |

Other Contributors Welcome!!

* * * * *

President's Smoke Signals

First, I want to welcome all G.C.A.R.C. members back for another year. I think that this year will be even better than the past. (No reflection on our past Presidents and Boards.) If things work out the way WE would like them to, we should be in the TOP 10 for Field Day. Also, we should achieve a better standing in the International DX Contest this year than last.

Speaking of contests, we have the International DX Contest coming up very soon. Got that big beam up and working for the DX stations to hear? From what I understand, Shorty is the man to beat this year. Lot's of luck! I know of two OM's that are really going to give W2SUA a good run for his money. The two have devised a very devious plot to surpass him this year!!

I am glad to announce that John Poulson, WA2PVH, is taking over the job of Publicity Chairman this year. This should lighten the work-load of Della, W2AFZ, for a change. Also, I am looking for Chairmen for Field Day, VHF, and TVI. I thank Preston Weil, WA2TSZ, for his fine job as TVI Chairman for many years; sorry that Pres cannot do it again this year. Also a FB job by WA2WOD/2, Phil Mattison, on the VHF Chairmanship. Anyone interested in filling these committees please let me know or we might see that Cannon Ball Express again! (Ha! Ha!)

We, the members of Gloucester County Amateur Radio Club, wish to thank Ken Newman, W2FBB, for the Great Job done as President last year. His steadfast leadership and genuine interest in the activities and growth of the Club (along with all past Presidents) has made G.C.A.R.C. the Club it is today. Tnx again Ken.

I would like to see more participation in Club activities this year by some more and some new members other than just a Select Few. Remember, this is your Club and the Club needs you. Thank you for your confidence in electing me as President. I hope that you will help me as much as you have helped our past Presidents.

I am asking all members to give more energy and time to make our Club one of the best on the East Coast. Again, thanks.

73

Bill, WB2FJE

* * * * *

JANUARY 6th MEETING

Program Chairman, John Stull, WB2JZX, has announced the program for January will be a presentation by our very own Paul Callaghan, WB2WAK, on the use of electronics in medical equipment. In other words, what makes your heart tick when it won't tick by itself? And how? Paul's profession is in this field, so we should be getting

(January 6th Meeting Cont.)

some straight dope! C'mon out, support your new officers, and listen to WB2WAK. (What more could you ask for in one night?) Also, note that coffee will now be available during the Club business meeting--tnx to WB2GKH.

* * * *

ARRL Discontinues Bulletin Mailing

W2AFZ has informed us that the ARRL will discontinue mailing post card bulletins to affiliated clubs (to save \$). WIAW will continue to broadcast bulletins on their regular weekly sked. If any Club member happens to copy a WIAW Bulletin of note, please see that X-Talk gets the message. Many tnks. (Della wrote and voiced our complaints over this new policy but merely got the old boot-in-tail from Newington). Guess they're feeling the inflationary pinch, too!

* * * *

OFFICIAL BULLETIN NR 299 FROM ARRL HEADQUARTERS
NEWINGTON CONN NOVEMBER 27 1970 TO ALL RADIO AMATEURS BT

Attention DXCC Honor Roll members. Due to changes in the months for publishing of the DXCC Honor Roll, submissions for Honor Roll credits will now be accepted during the months of December and June. The Honor Roll will appear in the March and September issues of QST. This is effective as of December 1, 1970. Further information appears on page 109 of the December issue AR

* * * *

APOLOGIES

To WA2WOD for not mentioning Phil's help and participation at WB2GKH's tower raising last month. And to (of all people) WB2FJE whose handle somehow was omitted after having engineered the W2PLD beam switching job. Sorry fellas, must be asleep at the key!

* * * *

CD NEWS

Van, W2KE, announced that, during the recent state-wide RACES drill, Gloucester County finished tied for 1st place!! This certainly is good news and a fine tribute to our industrious CD Communications Officer. (We tied for 1st out of how many participating counties, Van?)

"BOOTLEGGER" STATION

For u DX wrkers; beware of M1AP on San Marino (handle is Joe). He operates on 10 and possibly other bands as well. He will tell you to QSL via M1B (M1B has WA3HUP as Mgr.), but don't bother--Joe will never send a card to you. He is a 100% confirmed "bootlegger" station. (Our txn to WA2VEE for this information.)

* * * *

VHF SWEEPSTAKES

Coming up weekend of Jan. 9-10th. Here's a chance for you Tech's in the Club to earn one of our new Club certificates for scoring high in an ARRL sponsored contest (see W2FBF's blurb below).

* * * *

EDITORIAL - de WA2NPD

Here's as good a place as any, I guess. First off, the staff of X-Talk and myself want to wish everyone a belated "MERRY CHRISTMAS and HAPPY NEW YEAR". We are certain that 1971 will be another great year for GCARC with WB2FJE at the helm (we feel Bill will have a tough job topping W2FBF's record for 1970 but it's worth a try!). Let's all get behind our new officers this year--support them by your attendance at Club meetings, on-the-air participation in nets, drills, etc., and participating in Club committees, events, etc. In a future issue of X-Talk, we will publish a complete list of all Club Committees and their Chairmen for 1971. Don't wait to be asked to help out--volunteer!! (Help set a new precedent!) Also, I wish to thank all of the staff and regular contributors to X-Talk--and to those of you contributing articles and information from time to time--for a really outstanding job this year. Your support has been terrific! I feel X-Talk is truly a Club paper when so many of you are responding--keep up the good work! I recently visited our code class and found WB2MSH and WN2OVQ had things under control and going strong. Real FB job, fellas. Also, a final thrust--welcome back WA2EQB, SB-102, long wire and matchbox. Hpe to cu around for a long time to come, Ron.

* * * *

AREC

A reminder to all participants of the SET Drill coming out during the weekend of January 30th. W2LVW, WA2SEA, and WB2FJE should have more information for us later on.

RESULTS - 1970 SWEEPSTAKES - GCARC

| | Standing Club | Points | | | Opr. Time (Hrs.) |
|------------|---------------|--------|-------|--------------|------------------|
| | | Phone | CW | Total | |
| WA2NPD | 1 | 7896 | 8820 | 16716 | 20 |
| WB2WAK | 2 | -- | 16356 | 16356 | 16 |
| W2FBF | 3 | 3584 | 9082 | 12666 | 9 |
| WN2OLS | 4 | -- | 816 | 816 | 22 |
| Club Total | | | | <u>46554</u> | |

WB2WAK wins ARRL certificate for Club high CW. No phone winner as three logs on phone were not received.

WA2NPD, WB2WAK, and W2FBF receive the Club certificate for participation and scoring of 5000 or more points.

CONTEST CALENDAR - 1971

| | | |
|----------|-------|------------------|
| January | 9-10 | VHF Sweepstakes |
| February | 6-7 | DX Contest Phone |
| February | 20-21 | DX Contest CW |
| March | 6-7 | DX Contest Phone |
| March | 20-21 | DX Contest CW |

Logs will be available for the above contests at the general meeting.

Club certificates will be awarded for 60 QSO's in the DX Contest, and 20 QSO's in the VHF Sweepstakes.

Prizes will be awarded to the top scorer in the VHF Sweepstakes, and perhaps the top two in the DX Contest. More on that next month.

73

W2FBF

* * * *

4 SALE

EICO 5" scope; perfect working condition; First \$35.00 takes it. Call Mel Baral,

"LES BELLES" - By Rose Ellen-WA2FGS

Many YLs are involved in public service such as the New Jersey Division of Civil Defense and the RACES (Radio Amateur Civil Emergency Service). In the State of New Jersey, there are 21 counties and each county has their own Radio Officer. The R.O. has the responsibility of overseeing all radio communications and keeping records plus having operators on hand for regular drills. New Jersey is one of the few states where YLs have taken on this responsibility. Hudson County R.O. is "Trudy" Forbes-K2UXW, one of the newest Officers taking this position and also quite capable and interested in communications. As R.O. for Salem County, I am happy to welcome her to this group. Hudson County at the present time has very little organization or equipment and Trudy came all the way to Salem to look over the facilities to get some ideas for her own county.

One of the newer additions to the Salem County group is the purchase of 2 Meter FM Varitronic gear. This equipment was tested recently on a two hour aeronautical mobile drill incorporating our Flying Legionnaires and their Arona-195 Trichamp where pilot Henry Galloway and assistant R.O. Art Roberts-W2UNI took to the sky and covered the area of the entire county. Myself and several others were there for take-off then we went down to the Mobile Communications Bus to hear the very fine 50/9 signal reports from every section of the county including a fly-by over the bus. This was a first attempt at this new venture and will be done on a regular basis in the future. Everyone was very fascinated with this wonderful experience.

Circle your calendar before it is too late---

YL/OM CONTEST

| | |
|-------|-------------------------------------|
| Phone | Starts Sat. 27 Feb. 1971 - 1800 GMT |
| | Ends Sun. 28 Feb. 1971 - 1800 GMT |
| CW | Starts Sat. 13 Mar. 1971 - 1800 GMT |
| | Ends Sun. 14 Mar. 1971 - 1800 GMT |

Contest rules appear in QST and CW or call me and I'll be glad to help. A good time to get more YL contacts for all those lovely YL Certificates that are available.

Do you have a sewing problem? Lets hear about it.
Have to pin a hem in a lace dress? Turn it up and hold it with hair clips.
Use nylon thread for gathering. It's nearly impossible to break and fabrics move easily on it.

INDEPENDENT RECEIVER TUNING FOR TRANSCEIVER

Did you ever wish you could tune the receiver section of your transceiver without changing the transmitter frequency? Sure would be nice on CW for setting the tone of the station you are working, or for SSB roundtables where everyone never seems to be on the same frequency. It is extremely simple to do if you have an extra set of contacts on your TR relay in the transceiver, or room for another relay. Stability is not affected; however, the VFO must be recalibrated. Such a device has been in use here for about three years, and I would be lost without it.

Referring to the drawing, CR1 is a Varicap Diode, Motorola MV1642. It changes capacity as the voltage to it is varied (working like a variable capacitor). When transmitting, the diode is given a steady voltage from the voltage divider R1, R2, R3, R4. When in receive, the potentiometer R5 is supplying the voltage to the varicap. With R5 in the center of its range, the control voltage is about the same as in transmit, so there will be no offset. Moving R5 above or below center will tune the receiver plus or minus from the transmitter frequency. Switch S1 bypasses the offset control and allows normal transceiver operation.

C1, C2, RFC1, and CR1 should be mounted inside the VFO enclosure. The other components can be anywhere, including a separate box outside the transceiver. Recalibrate the VFO with the switch in the off position. As shown, the offset is about 2KC. If you you want more offset control, change C2 to 10PF.

Parts, including the varicap, should be available from Resco in Camden. Call ahead and have them brought in from the warehouse if not in stock.

I hope receiver offset will increase your operating enjoyment as much as it has mine. Cost is \$6 or \$7 if all parts are new.

73

W2FBF

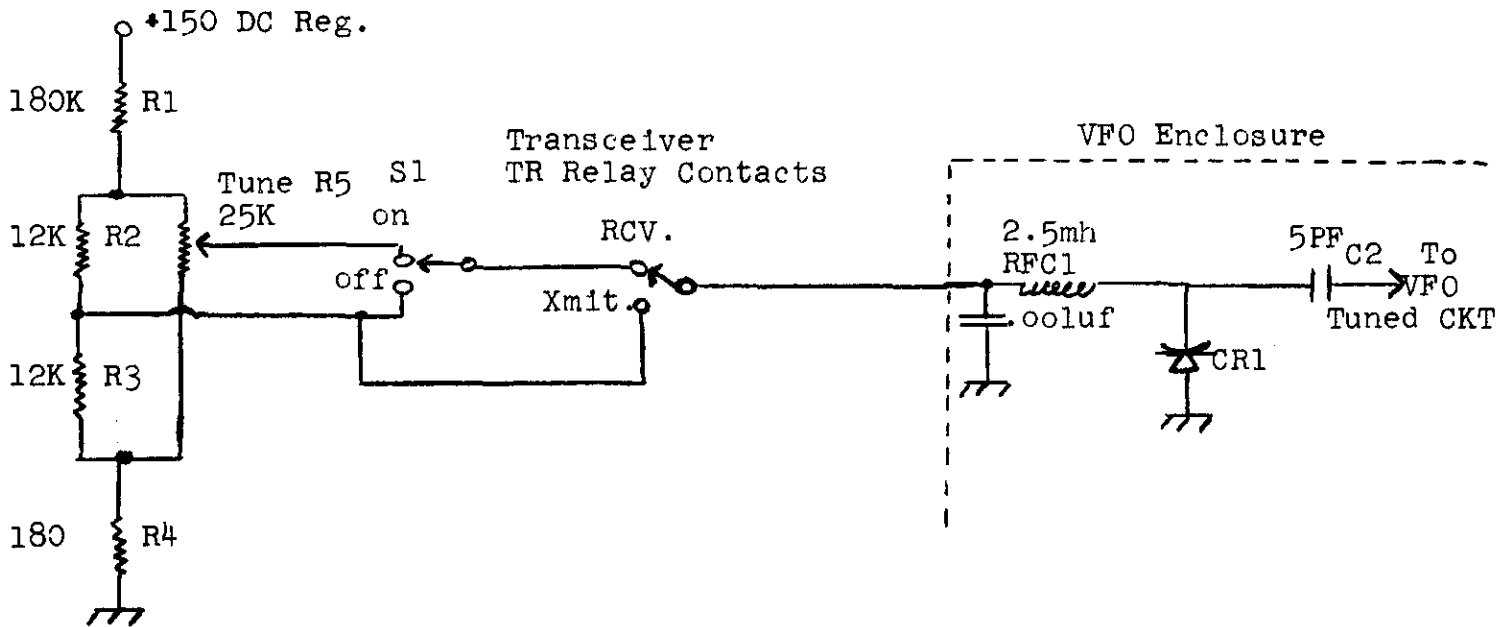
Ed. Note - A real worthwhile idea ken--and well written, too!!

(Due to lack of sufficient space, drawing appears on the following page)

* * * *

CLUB JACKETS

John, WB2JZX, presented an idea to the Club Board of Directors for making available to each member (for a small sum) GCARC jackets--complete with call letters, Club emblem, etc. The board felt it was a great idea. More on this at the January 6th meeting.



- Resistors are 1/2 watt
- R5 is a linear taper pot.
- S1 is SPDT toggle switch
- C1 - .001 disc ceramic
- C2 - 5pf silvered mica
- CR1 - Motorola MV1642 or Hughes 1N954
- RFC1 - Anything you have room for.
J.W. Miller 70F253A1 is about as small as
you can get. \$1.50

* * * *

RAMBLINGS BY A GHOST WRITER

RED, WHITE, and BLUE are colors that are well known to everyone, and even the smallest child can tell you what they stand for; but, how many of you know how these colors manifest themselves in the amateur ranks?

Everyone knows that the plate on a tube turns red when the bias goes off and the tube is drawing excessive plate current or is not properly neutralized. White is the color of the ham's face when he looks at some of the schematics or wants to use transistors and doesn't understand how they operate or sees a sign that reads DANGER***HIGH VOLTAGE*** Blue is how a ham feels after he has built a rig, turns on the power, and sees the fruit of his labor go up in smoke; or it may be that he has a rare DX contact and a house full of company decides to pay him a visit, and he must QRT and pull the big switch. I think that you will agree that these colors are very unpatriotic when applied to the above situations.

How would you like to take a trip around the world? Not one trip but many, almost whenever you wanted to? You can, you know, by simply getting your rig operating efficiently and getting up a

good beam. Of course, some of you may have to save every penny or go out and earn some extra money to achieve this. But after obtaining this, one is reminded of a kaleidoscope; only, instead of glass, you are using radio waves to give you the enjoyment. Basically, when you think of this, it is the cheapest way known for you to meet friends on the other side of the world and to find out interesting facts about where they live. Several hams also receive pleasure by owning a radio that tunes in the police and fire calls while I get a kick out of inserting a quarter into a machine that they have at the International Airport in Philadelphia and listening to the traffic from pilots to control tower. I know that very few people realize just what goes on in control towers, especially when a flight is experiencing trouble. When you are at the Airport, give it a whirl and see if you like it.

I was wondering if sometime the members enmasse' would like to pay a visit to the Franklin Institute in Philadelphia? They have a ham station up there and a lot of wonderful and interesting electronic gear. For the members who have never been there, you have a big treat in store for you. It is one place that everyone should visit sooner or later.

I have taken notice that very little interest is shown on frequencies of 220mc. or higher. Surely with as many members as we have in our Club there are a few who would be able to get these frequencies started. I understand that this work is not only interesting but also productive. Being an amateur radio club, all phases of electronic work on an amateur basis is the purpose of the club. After reading the reports of various radio clubs and their bulletins, I was very much impressed with the activity these clubs have on the higher frequencies and began to wonder why we couldn't make this an integral part of GCARC? I for one would be interested, and I bet if others were approached, they too would like to learn all they could about the work done by the amateurs on these higher frequencies. I know what you are going to say in reply; we do not have any engineers in our Club to get this going. I know that some of the other clubs didn't have any engineers either, but yet they seem to get a lot of fun out of this >220mc. region.

Doggone, there's that backscatter and stardust getting all mixed up and causing so much QRM that I am going to have to see what the new Ionospheric Propagation has in store before I can tell you anything else, so -

73's es cul.....Ghost Writer

Ed. Note - Good idea on >220Mhz. operation. Would suggest the Ghost Writer talk this up at January 6th meeting and lead-the-way up the band!

P.S. The mysterious Ghost Writer sez he will be wearing a small red pin at the next meeting for identification. Find him and talk to him!!

Here are my 1971 yearly dues Paul, all _____ of it!

Glad to get the \$ in on time thus saving a buck and making your job as Treasurer easier.

73

To:

Paul Callaghan, WB2WAK
Treasurer GCARC

Signed: _____

(Address and Call)

(cut here and mail)