

CROSSTALK

IS

The Official Publication of

GLEOUSTER COUNTY AMATEUR RADIO
Club

VOLUME TWO

ISSUE NO. 4

Editor -----Bernard Cohen K2OJX

Assistant Editors -----Albert Roche K2HFJ

Jay B. Manahan K2RPA

Printer -----Eric Walton WA2FMO

Assistant Printer-----David Walton

CONTENTS

ARRL Bulltines-----

TVI Filters -----

Minutes of Board of Directors Meeting----

Swap & Shop -----

Overmodulation Indicator -----

Q S L -----

(Meetings first Wednesday of each month
Owens-Illinois Plant, Glassboro, N.J.)

FLASH

CANADIAN PHONE BANDS EXTENDED

ALL AFFILIATED RADIO CLUBS AND APPOINTEES:

The Canadian Dept. of Transport has announced that, effective Sept. 15th, certain of the phone bands for Canadian amateurs have been revised to read as follows:

7150 to 7300 kc.	21,100 to 21,450 kc.
14,100 to 14,350 kc.	28,100 to 29,700 kc.

We regret that this information came too late for page 1 of this bulletin or Oct. QST. The DOT's action is responsive to petitions it received last year, and a subsequent poll of Canadian amateur opinion, which showed sentiment for increase.

A.R.R.L. OFFICIAL OBSERVERS:

Please at once make the above sub-bands (for VE?VO) part of your CD-100 (OO Standing Data) and guide to observing operations. 73.

F. E. Handy, W1BDI, ARRL CM.

OFFICIAL BULLETIN NR 770 FROM ARRL HEADQUARTERS, WEST HARTFORD CONN. OCT. 13, 1960 TO ALL RADIO AMATEURS BT

Effective November 5, 1960, amateurs of Paraguay and the United States will be permitted to exchange messages on behalf of third parties. The number of countries with which the United States has similar agreements is now fourteen. These countries are Canada, Chile, Peru, Ecuador, Liberia, Mexico, Cuba, Panama, Costa Rica, Nicaragua, Venezuela, Haiti, Honduras, and Paraguay. AR

OFFICIAL BULLETIN NR 773 FROM ARRL HEADQUARTERS, WEST HARTFORD, CONN. NOV 3, 1960 TO ALL RADIO AMATEURS BT

Attention is called to the restoration of Laos, XW8, to the Banned List. Effective November 5, 1960, amateur radio communication with Laos, XW8, is prohibited. Other countries on the Banned List are Cambodia, Indonesia, and Viet Nam AR

OFFICIAL BULLETIN NR 775 FROM ARRL HEADQUARTERS, WEST HARTFORD, CONN. NOV. 17, 1960 TO ALL RADIO AMATEURS BT

With continued FCC citation and OO observance of phone splatter, key clix, and out of band operation, all amateurs are urged to examine their own signals as well as give honest direct critical signal reports. Application for Official Observer appointment is invited from experienced amateurs of General Class or higher license. Official Observers are needed to expand the work of sending friendly advisory notices. Those qualified are invited to apply to their SCM for an OO appointment AR

WANTED: ARTICLES FOR CROSSTALK
PLEASE SEND ANY AND ALL TO:

Bernard Cohen, K2OJX

RCA Serv. Co., 4451 N. Milwaukee Ave., Chicago, 30, Ill.
 Att: Jay Boock, Field Serv. Mgr. A B E F H I J K
 NOTE: N. & NW Suburbs (Northfield), phone..HI. 6-5080
 NOTE: Western Suburbs & Chi. Btwn North Ave & 39th St,
 phone..OO. 1-1100
 NOTE: So. of 39th St. & So. & SW Suburbs, phone..WA. 5-6000

Sentinel.....See Magnavox

Silvertone...Sears Roebuck & Co., 925 S. Homan, Chicago, 7, Ill.
 Go to any Sears store, cust. Serv Dept., or call L. S.
 Shepherd, Serv. Engr., Sears-Roebuck Co., above address.
 Phone: KE. 3-2500 B E F H I J K

Sparton.....See Magnavox

Sylvania Home Electronics Corp., 700 Ellicott St., Batavia, N. Y.
 Att: R. Panepento, Cust. Serv. Co-ord. A B C E F G
 (114-0001) H I J K

Traveler Radio Corp., 571 W. Jackson Blvd., Chicago 6, Ill.
 Att: Mr. Herman Feldman, Serv. Engr. A B E F H I J K

Wells-Gardner & Co., 2701 N. Kildare, Chicago 39, Ill. Code: O

Westinghouse Appliance Sales, 6500 W. Cortland, Chicago 35, Ill.
 Att: T. V. Radziwon, Supt. A B E F J K

Zenith Sales Serv., 6001 W. Dickens, Chicago 39, Ill. Att: Mr.
 Brian J. Marohnic, Serv. Div. B C E G (S44883) K

TV Manufacturing companies out of production are:

CBS-TV.....Crosley.....Lion.....Majestic.....Meck.....Raytheon...
 Scott.....Stromberg-Carlson.....Trans-vue

Copies of this list may be had by sending 10¢ in coin per copy and
 a self-addressed stamped envelope to:

Louis Epstein, K9REN,

TVI CHAIRMAN,
 Midwest VHF Club

The next club meeting will be held December 7, 1960 at the
 Owen-Illinois Club house in Glassboro, N. J. It is very important
 that you attend this meeting. The election of officers for the
 following year will take place at this meeting. Who do YOU want
 to run YOUR club. It is as simple as that. Come out and vote.

MINUTES OF THE BOARD OF DIRECTORS MEETING

The November Board of Directors meeting was held on Nov. 30th at Paul Walton's (W2YMR) home. Officers present were Woody Prantz, Jim Peck, Ed Stotser Della Parker, Van Turner, Paul Walton and Jack Sterner.

Van Turner announced that the Green-Illinois club room will not be available for the Christmas Party planned for Dec. 16th. However, Van acquired an option for the Swan Fire Hall For Dec. 17th. It was agreed by all present that the party will be held on Dec. 17 at 9:00 PM in the Swan Fire Hall.

OSL cards prices were presented to the board by Paul Walton, Considerable discussion followed, but it was generally agreed that for what we are getting these prices are not out of line. The prices are as follows.

100 OSL cards for	\$ 3.60
200 " " "	6.45
300 " " "	9.10
400 " " "	11.70
500 " " "	13.75

Paul Walton agreed to handle the personal orders for the members along with the cards for the club station.

The County Radio Officer Van Turner reported that the CD communications center in the county building at Woodbury must be vacated shortly after the first of the new year. He also stated that there is no other suitable facilities available in any of the county buildings at Woodbury.

A discussion of the problems surrounding the lack of interest and decline in club attendance, programming, maintaining order and lengthy business sessions.

----- FLASH-----FLASH----- FLASH-----

On Thursday Dec. 1st, Van Turner informed the member present at the Wed. board meeting by phone the following:

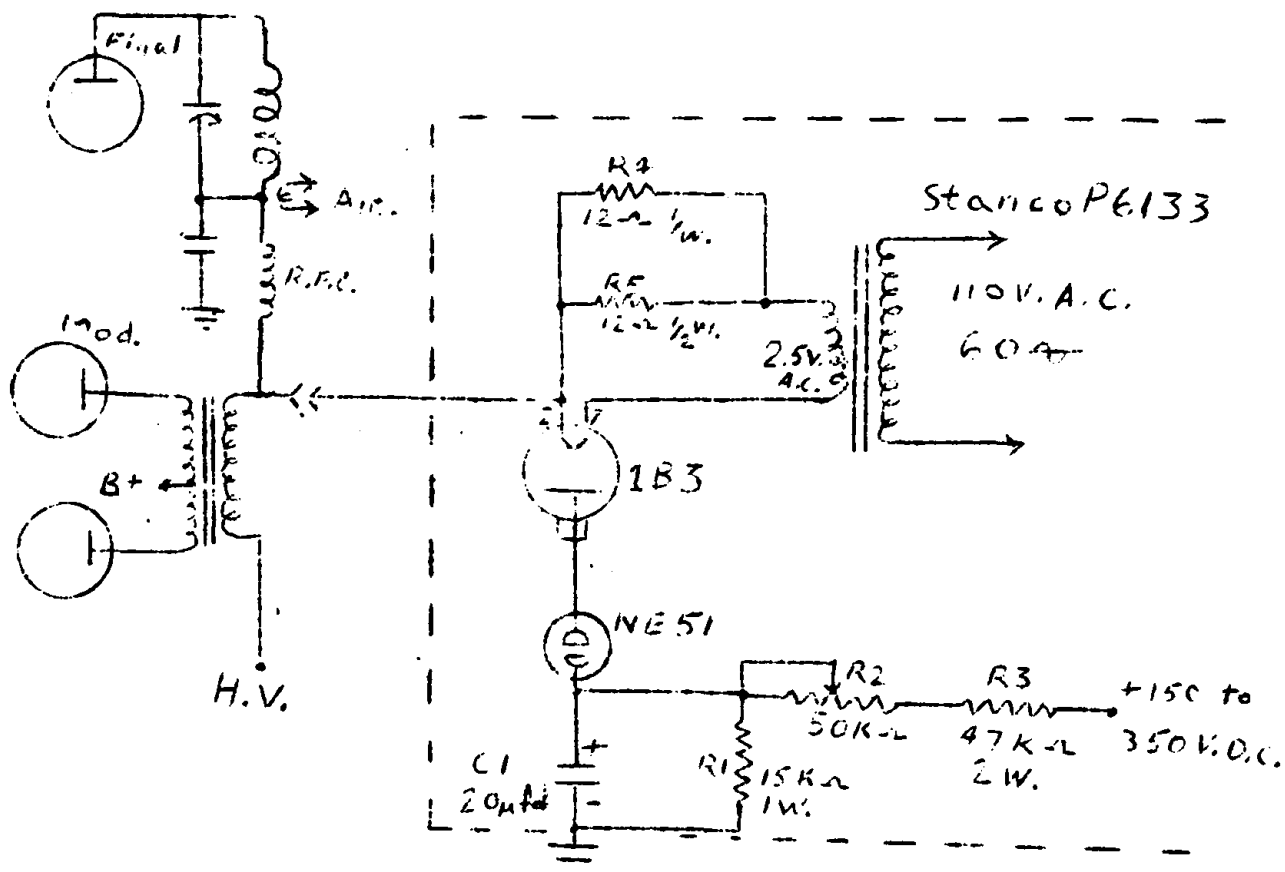
We can not have the Swan Fire Hall for Dec. 17th. The majority of the directors favored postponing the party until January or February of 1961. Therefore, THERE WILL NOT BE A CHRISTMAS PARTY AS PLANNED.

***** SWAP AND SHOP*****

- Paul Walton W2YMR wants 10 volt 5amp. Fil. Transformer and sockets for an 613 tube.
- Jack Sterner W2CQK Has to sell Gonset 2 meter mobile converter
6 volt dynamotor, 385 volts at 235 Ma.
6 volt vibrator supply, 300 volt. at 100 Ma.
10 meter raster mobile "Miracle Whip"

de K2AGL

OVERMODULATION INDICATOR



The overmodulation indicator shown above has been used in my rigs for the past six years. This circuit will work with any ham rig up to a kilowatt without any changes. The neon lamp flashes on all negative peaks of modulation of 100% or greater. That is it will glow anytime the instantaneous B to the plates of the final amplifier are at zero or in a negative direction with respect to ground,

There are two parts in the unit that are critical. They are the tube socket of the 1B3 which must be a high quality ceramic material and the 2.5 V.A.C. winding of the filament transformer must be well insulated to avoid arcing to ground. This circuit can be mounted in the rig or constructed in a mini-box.

The adjustment of the indicator is very simple. Before pin 2 of the 1B3 socket is connected to the rig, short it to ground. Apply the B to R₃ and adjust the pot. R₂ to the point where the NE51 just about glows. Then remove the short to ground at pin 2 of the 1B3 and connect it to the transmitter as shown.

Q.S.L.

The club Q.S.L.'s are ready. We will have some at the December meeting . They were printed by the Suburban Printing Service of Dutch Mill Road, Elmer, N.J. He has the cards and will print names and calls as he gets the orders.

You may be interested in the way we arrived at the cost of the cards. Here are the figures.

Cost of plates	\$ 7.00
Cost of printing	<u>\$50.00</u>
Total	\$57.00
Cost per card	1.15¢

Adding a glossy finish will cost about \$10.00 or say 0.20 ¢ per card, for a total of 1.35¢ per card.

To this must be added the cost of printing the names and calls . The total costs are then as shown below.

<u>Number of cards</u>	<u>Cost of cards</u>	<u>Cost of printing</u>	<u>Total</u>
.100	\$ 1.35	\$ 2.25	\$ 3.60
200	2.70	3.75	6.45
300	4.10	5.00	9.05
400	5.40	6.00	11.40
500	6.75	7.00	13.75

So there you are.

Write your order, name and address, and call in the space below and mail or give to W2YNR, Paul Walton

W2YNR (Paul)