

CROSSTALK IS PUBLISHED MONTHLY BY THE GLOUCESTER COUNTY AMATEUR RADIO CLUB., ARRL AFFILIATED. OPERATION OF THE PUBLICATION IS ON AN EXCHANGE BASIS. ANYTHING THAT IS PRINTED IN THIS NEWS LETTER MAY BE REPRINTED, UNLESS OTHERWISE STATED, PROVIDED CREDIT IS GIVEN JUSTLY.

CROSSTALK STAFF

EDITOR: RAY MARTIN WB2LNR
CONTEST CORNER: KEN NEWMAN N2CQ
LES BELLES: ROSE ELLEN BILLS N2RE
DX INFORMATION: WAYNE WOOD W2SUA
ARRL BULLETINS: DELIA PARKER W2AFZ
TYPIST: RAY MARTIN WB2INR
PRINTER: RAY MARTIN WB2LNR *
CIRCULATION: VIRGINIA MARTIN NONE. *

G.C.A.R.C. OFFICERS

PRESIDENT: RAY METZGER WB2BZY
VICE PRES: RAY MARTIN WB2LNR
CORR SECT: MARY PETRUZZI WA2ONZ
RECD SECT: STEVE BLASKO W2TDS
TREASURER: ROSE ELLEN BILLS N2RE

CLUB DIRECTORS

BILL BACHMAN WA2VEE
BILL HELMETAG WA2VQG
GARY HITCHNER WA2OMY
JACK KESSEL AB2W
MARK WILSON AA2Z
DAVID BACON WB2OMW

CLUB TRUSTEES

BARRY CAMPBELL WA2LVZ
BILL FRAMBES WB2FJE
JOHN KULL WB2GKH
JOHN WHITE WA2MEM



CLUB NETS

2 METER FM 78/18 SUNDAY 8:00 PM ALL HAMS ARE INVITED TO JOIN IN.
6 METER AM 50.9 SUNDAY 9:00 PM CLUB AFFILIATION IS NOT NEC.
10 METER SSB RAG CHEW 28.8 FRIDAY 9:30 PM
15 METER SLOW CW NET. 21.175 FRIDAY 7:30 PM CLUB CALL IS: W 2 M M D

MEETINGS: FIRST WEDNESDAY OF EACH MONTH AT 8:00 PM..@ THE NATIONAL PARK MUNICIPAL HALL NATIONAL PARK, NEW JERSEY. ALL HAMS & GUESTS ARE INVITED. REPEATER FREQUENCY 78/18 THROUGH THE COURTESY OF THE BARNSBORO REPEATER ASSOCIATION. WR2AGO.

ALL ARTICLES FOR CROSSTALK SHOULD BE SENT TO THE EDITOR: RAY MARTIN, WB2INR.

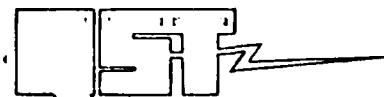
NOTICE

SORRY TO SAY, THAT THIS IS GOING TO BE THE LAST CROSSTALK FROM ME FOR SOME TIME. REASON BEING, MY TRANSFER CAME THROUGH AND SO, AS OF SEPT. 10th. I WILL NOT HAVE THE TIME TO CONTINUE THE CLUB PAPER. I WILL BE REQUIRED TO WORK QUITE A LOT OF OVERTIME AND ACTUALLY I'M LOOKING FORWARD TO DOING SO. SINCE ITS BEEN CLOSE TO FIVE YEARS SINCE I HAVE HAD ANY. ALSO, WITH THE FIRST ADDITION TO THE NEW FAMILY COMING IN APRIL I CAN USE THE MONEY. PLUS LOOKING FOR A HOME. SO HERE'S HOPING THAT SOMEONE WILL COME FOWARD AT THE MEETING TO CONTINUE A GOOD THING. YE EDITOR. WB2LNR.

DONT FORGET---BASKET OF CHEER CHANCES WILL BE ON HAND AT THIS MEETING. PLEASE HAVE YOUR STUBBS AND MONEY READY. FOR THOSE OF YOU WHO HAVEN'T BEEN INFORMEN, A PRIZE WILL BE GIVEN TO THE MEMBER WHO SELLS THE MOST CHANCES, SO GET TO IT. A.S.A.P. VIRGINIA MARTIN.

-BUFFET DINNER, 1978, TICKETS ARE STILL ON SALE. IT WILL BE HELD SATURDAY SEPTEMBER 30, 1978 @ THE HOLLY INN, PITMAN, N.J. "THIS IS WHAT WE HAVE BEEN WAITING FOR." AN INTEREST* ING EVENING IS IN STORE FOR ALL, FINE TIME FOR YL, XYL, & OM'S ALIKE, LIMITED TICKET SALE ADVANCED TICKET SALES INDICATE EARLY TICKET PURCHASE NECESSARY. ORDER TICKETS FROM: HERB SCHULER, JACK KESSEL WAYNE WOOD OR ANY CLUB OFFICER... ORDER NOW !!! " DONT MISS A GREAT EVENING."

PROGRAM FOR THIS MONTH WILL BE A SLIDE SHOW OF LAST FIELD DAY (1978). IT WILL BE PRESENTED BY OUR FIELD DAY CHAIRMAN. MARK WILSON, AA2Z.



PRESIDENT'S CORNER

BOY DID WE HAVE A SUPRISE LAST MEETING. WE HAD 97 PEOPLE IN ATTENDANCE,. THATS A RECORD. THERE WAS PLENTY OF COFFEE AND DOUGHNUTS AND EVERYONE HAD A GOOD TIME.

EVERYONE ENJOYED THE PROGRAM GIVEN BY NEW JERSEY BELL TELEPHONE CO.. IT LOOKS LIKE WE MIGHT GET OUR PICTURE IN THE BELL PAPER (OUTICOK). THERE WAS PLENTY OF PUBLIC RELATIONS PEOPLE THERE FROM MA BELL WHICH MEANS WE WILL BE GETTING SOME GOOD PUBLICITY, THROUGHOUT THE STATE.

I HOPE EVERYONE ENJOYED THEIR VACATIONS AND HAD A NICE SUMMER. BUT THEIR'S STILL ONE BIG EVENT AND THAT'S OUR UPCOMING BANQUET. SO YOU PEOPLE WHO HAVENT PURCHASED THEIR TICKETS, YET HAD BETTER GET ON THE BALL BEFORE IT'S TOO LATE.

SO BRING OUT THE LOOT AT THE SEPTEMBER MEETING AND SEE SHORTY, JACK OR HERB FOR THOSE IMPORTANT TICKETS (TEN DOLLARS EACH).

SEE YOU AT THE SEPTEMBER MEETING. RAY WB2BZY

FOR SALE: Not cheap, but reasonable.

MFJ 200 BX FREQUENCY STANDARD, PLUS A TEN-TEC KR20 KEYER. PLUS, A SONAR FM3601 TWO METER TRANSCEIVER WITH CRYSTALS FOR 055/655 13/73 16/76 19/79 34/94 78/18 & 52 & 58 SIMPLEX. Josh AE2L..

FOR SALE: MIDLAND 13-505 TWO METER TRANSCEIVER, FIVE AND THIRTY WATTS OUT, WITH TWELVE CHANNELS INSTALLED & \$170.00 IS THE PRICE. ALSO, A REGENCY TEN CHANNEL PROGRAMMABLE SCANNER FOR \$150.00... Ed Loveland WA2PFC.

FOR SALE: NATIONAL NC155, EIGHTY THROUGH SIX METER RECIEVER, AM,SSB,AND CW. ALSO HAS A CRYSTAL CALIBRATOR. EXCELENT CONDITION. CALL JOHN DONAWAY WB2JMK

HOT NEWS ITEM

ARRL RADIO AMATEUR'S HANBBOOD 1978 EDITION.

THE CLUB CAN GET THE ABOVE BOOKS FOR A COST OF \$3.00 A PIECE IF A QUANTITY OF 25 ARE ORDERED. IF THE CLUB ORDERS FIFTY OR MORE THE CLUB CAN GET THEM FOR \$2.50 A PIECE. THE NORMAL COST IS \$6.75 AND WE UNDERSTAND THEY WILL BE \$7.00 THIS COMING YEAR. I MUST KNOW THE ANSWER BY THE SEPTEMBER MEETING. K2JF.

The CB/10 Frequency Planning Group, after considerable stufy have deecided that 28.800 MHz will be the " calling frequency ". After contact has been made it is recommended that the parties QSY to another frequency, for their QSO . Under the present frequency plan 28.900 MHz is Channel 4. K2JF.

DON'T FORGET TO BRING IN THE CHANCES FOR THE BASKET OF CHEER, WITH MONEY IN HAND !!!!

Try something different for learning motivation. That is what N2GQ (Herb) and K2JF (John) tried on July 31st. Herb has two "Summer School" classes in physics, and at that time they were going yo study the rudiments of astronomy.

N2GQ thought that a possible way to do something different was to have a lecture on the Sun and its effects on communication. He enlisted the help of K2JF who, sitting at RCA, Camden, via the 22/82 machine, gave the talk while N2GQ drew the various areas of K2JF's talk. After the twenty minute lecture, a Q & A session. This was done at 0900 and then again at 1200. Education in science via Amateur Radio.

Looking for current information on Six Meter activity???? For more information send a S.A.S.E. TO " SMIRK " (SIX METER INTERNATIONAL RADIO CLUB) C/O SMIRK # 1 MR. RAYMOND CLARK SR. SAN ANTONIO, TEXAS 78227.

He will send you information on how to join and what to do if you want his monthly report on the band. Beleive me, the organization is sound and very active. I know, Im also a member (SMIRK # 1362)
P.S. make that a Business Size S.A.S.E. YE EDITOR RAY, WB2LNR. 73's.

PROPAGATION FORECAST SEPTEMBER 1978

Well, let us start out by giving the Fifteen Meter boys a shot-in-the-arm. This month is the best daytime band for DX. This month 15 will outshine 20 during the day; but, after sundown it will taper off; then, 20 will become your band, but don't overlook 40 for late dx, here you will get worldwide DX from about 2000 to an hour after sunrise.

Now, for a little extra; 10 is now beginning to show up and it will improve thru September-starting around 1300 to 1700 this band will open up to the South. Caribbean and South America will start. Listen on Channel 9 CB, and hear the Cubans and Mexicano come in, they do not have that channel as emergency as U.S.A. does.

The reason for this month's hot-stuff is the autumnal equinox. At the autumnal point is the time when all areas of the Earth receive twelve hours day and twelve hours night. This means that propagation thruout the world is much the same; hence, the ability for the MUF to stabilize and give us some good operating conditions. Now you understand a S.I.D. can come along and knock everything for a loop, but I don't see any wild gyrations on Sun's surface, so perhaps we may get a good month. O.K., let's go.

160 meters: Static still a little high, but after 2030 this band will start - Europe 2200-0100; USSR 2100-0400; Mediterranean 2200-2300; South America 2300-0400.

80 meters: This band will be good up at the higher area near 75-. Central Europe 2100-0300, 0500-0700 - (Watch for peak around 0630). Caribbean, South America 2100-0600.

40 Meters: This band will open at 1st dark. 1st dark is one hour after the top of the Sun disappears below the horizon (standing on the beach looking out over the ocean). It will improve as September ages, and by the end of the month it should start looking like a real good DX band. Most of Europe: 2100-0300; South Pacific, New Zealand 0300-0600; Australasia 0530-0730; Caribbean, Central, South America 2100-0600.

20 Meters: This band is still your all-around DX band. It will last thru the night, but it gets rather peculiar. As night approaches, the DX will be to the South, it will appear like T.E. but it is not. (Yes, Sonny, there is a reason for it, some day J.D. and I will discuss it with you.)

All Europe: 0600-1000, then 1200-1900; Middle East 1700-2000; Western Africa 1700-2300; South Africa 1900-2300; South Pacific 0800-1000, then 2300-0300; Australasia 0900-1000 then 2300-0100; Caribbean, South America anytime but 0400-0630; West Coast of South America 1700-0300; Antarctica 2100-2300.

15 Meters: Here is your daytime band this month. Take advantage of it. (Denny you and Mark can go wild, if I were you, Denny, I'd stay home on the 12th.) I wish I didn't have so much TVI, oh well. Here we go:

Europe 1100-1500; Middle East 1200-1400; Africa 1700-2300; South Pacific; Australasia 1730-2030; Caribbean, South America 1000-1900; Western South America 1530-2030, Antarctica 1800-1900 pretty good chance.

10 Meters: Well, it is beginning - this band is daylight band. This band will generally be good to the South of us. During the evening the CB/10 . All boys should do pretty well up to 10 miles. Western Africa 1400-1600; South Pacific 1500-2000; Caribbean, and all of Central and South America 1400-1800.

Before we go to the VHF, remember September 22 is the Equinox, and from about the 15th thru the 27th the signals may be either single or double hop, they may take either path, the great circle hop East-West, or East-East-West- the best time for all the above are the twilight periods around Sunset and Sunrise.

VHF; This is a major T.E. month, due to the equinox. Best time for this mode of operation is between 2000 and 2300. This will occur on six for us Northerners. Don't look for any real activity from sporadic-E, it is just about finished for us Yankees; however, to compensate there should be some good auroral activity.

This will happen on VHF good days. Check early morning "inversion" on 2 meters, it can give some wild dx this month as the Cold Canadian air begins to drop down on us.

HF Good Days: 3*, 4, 11, 12*, 13, 25, 30

VHF Good Days: 7-8, 15, 16*, 17, 23, 27

* Means best days.

The Sun Spots are popping all over and the MUF is climbing. As we approach fall, the MUF will peak during the day and drop off at night. Cycle 21 is beginning to show its stuff. It will peak in August 1980. The high activity forecast for September will be about 120. I figure it will average out to about 95, a real good figure. A Hint- If you have a tiltable beam-try a slight up tilt about 10° when facing Southwest. All Times are Pitman. K2JF.

ACROSS THE STREET
FROM J. M. FIELDS
ROUTE 45
WENONAH, N. J. 08090

Radio Shack
A TANDY CORPORATION COMPANY

JIM PECK W2LVW

PHONE
(609) 468-0737

Milton L. Goldman

Engraving & Rubber Stamps

PHONE 609-456-0500
801 CROWN PT. ROAD

P.O. BOX 401
WESTVILLE, N.J. 08093

ROBERT J. RUPLE 4680344 WAZMMA

BOB'S ELECTRONICS
Radio & Television
Service
Specialize Communications
4 E. Barber Avenue. Woodbury, N.J.
08096

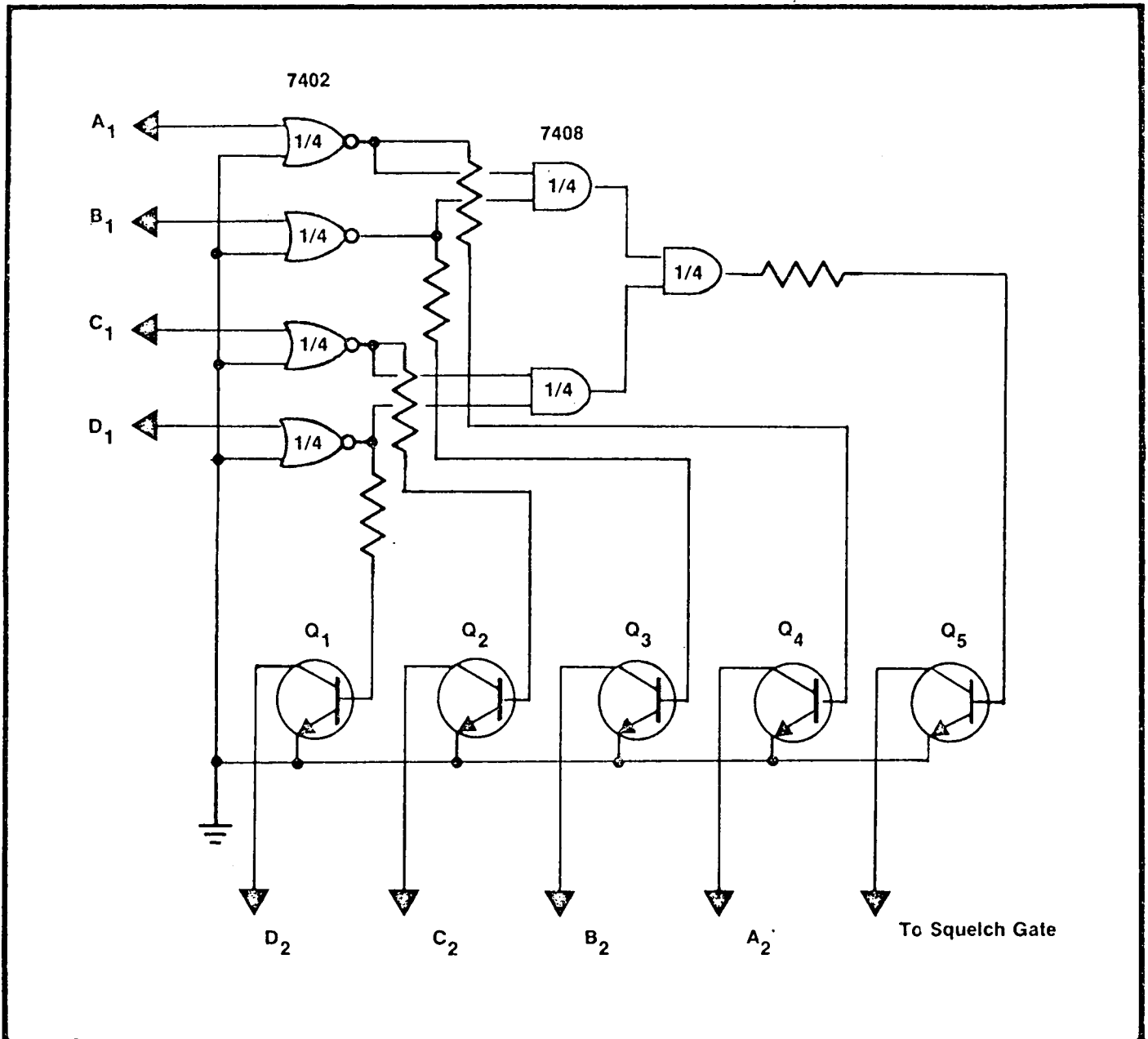
Frambes Communications

324 Grandview Avenue
Pitman, N.J. 08071
609 - 589 - 5293

Serving South Jersey with Larsen and Wilson Products

Bill Frambes, WB2FJE, Owner

Multiple Tone Switch



With the ready availability of miniature duplex cavities, time-out timers, and carrier-operated relay accessories, dealers across the nation are converting an off the shelf FM transceiver into a miniature repeater. Thus the dealer can offer the customer a dedicated repeater at almost half the cost yet with the same specs.

The circuit featured in this month's article lets the dealer go a step farther by enabling the repeater to accept and transmit several tones for multi-channel or community operation.

A1, B1, C1, D1 are connected to the squelch control lead from each of the sub-audible tone boards. A2, B2, C2, D2 are connected to the tone-out enable leads from the respective tone boards. The tone inputs and outputs are paralleled. All resistors are 4.7K and Q1-Q5 are NPN switching transistors.

When tone A is received by the repeater, the A tone board ungrounds A1 and Q5 stops conducting, opening the squelch gate. Q4 also ungrounds the tone-out enable from the A tone board and therefore allows the radio to transmit only the A tone while the other 3 tones are muted. ■

30th

Annual
SELLERS

300

HAMS



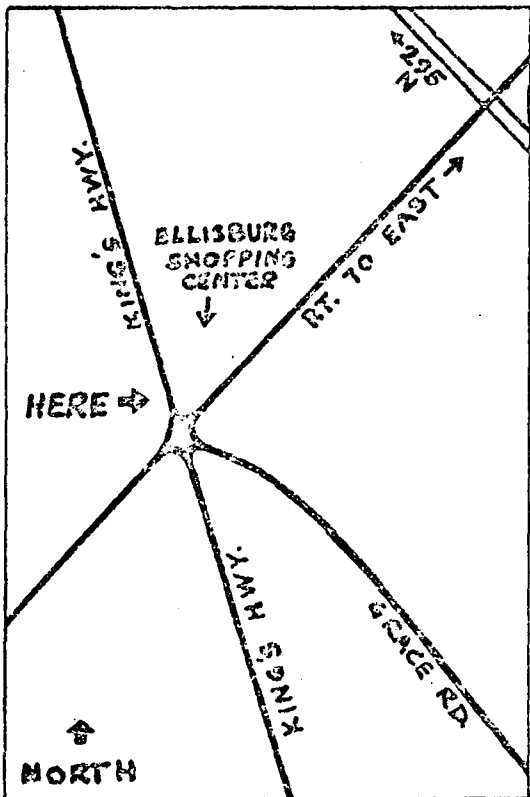
Sunday,

Sept. 18

Rain or Shine 10:00 A.M. to 4:00 P.M.

REGISTRATION \$2.00

Send check or money order
(Include S A S E)
JACK KOCH K2CR
1980 GREENTREE ROAD
CHERRY HILL, N.J. 08003



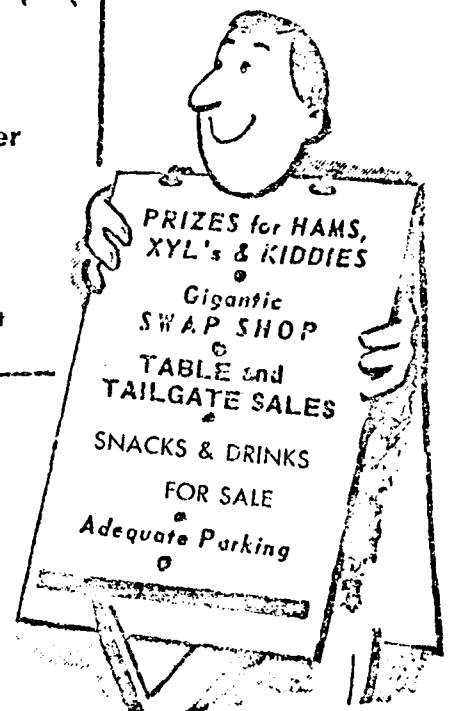
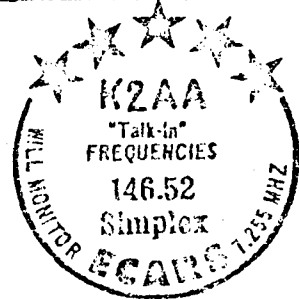
★ ★ ★ ★ ★ ★ ★ ★ ★ ★ ★ ★ ★ ★ ★ ★

MANY VALUABLE PRIZES

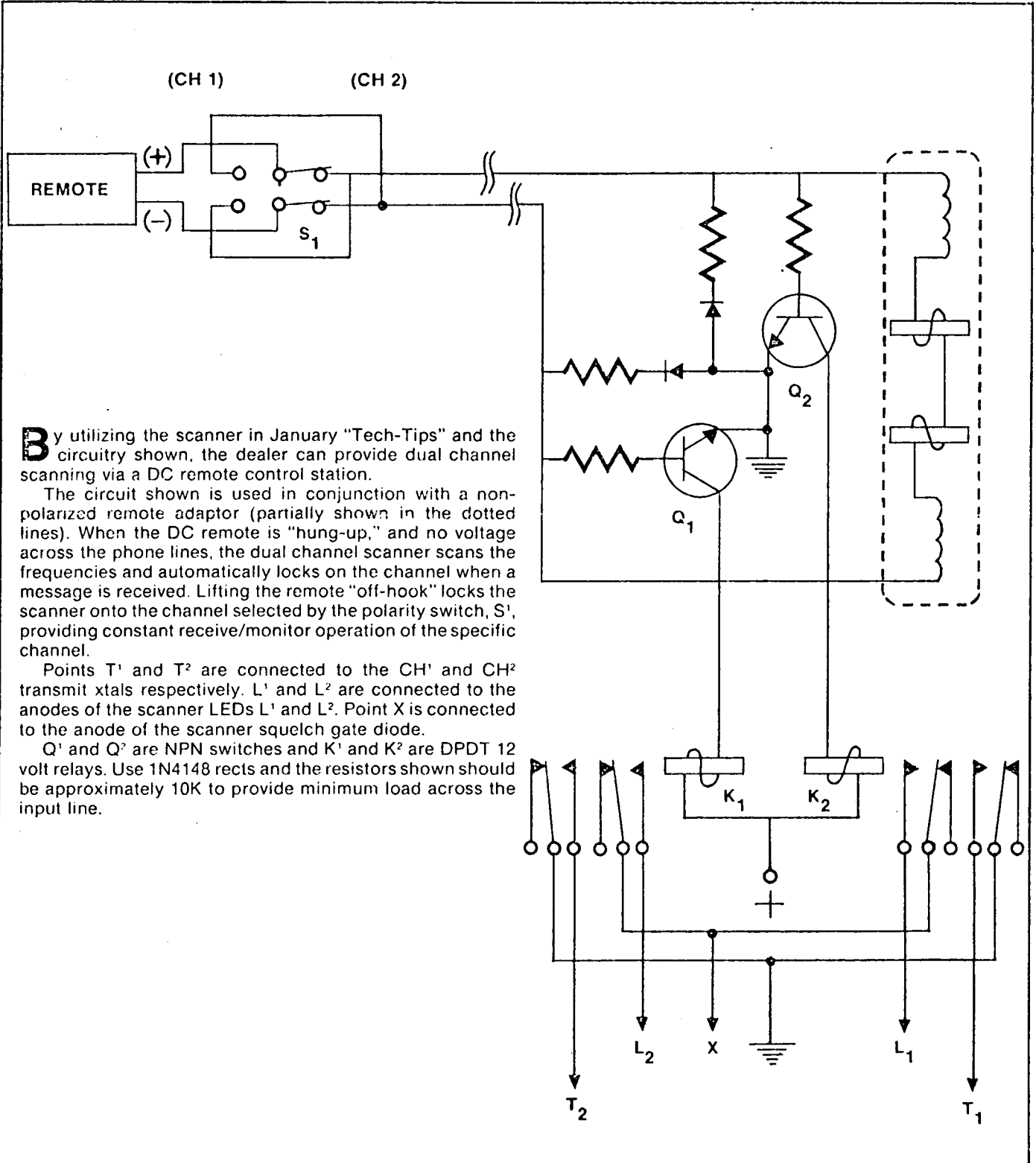
- 1 - TenTec 540 Transceiver
- 2 - Lafayette 2intr. FM
- 3 - 18AVT Vertical

many extra's

Winner need not be present
to win 3 top prizes



DC Remote Scanner

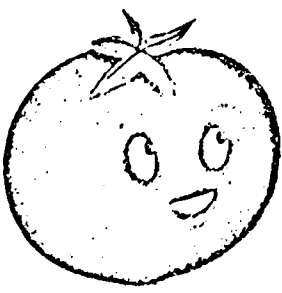


By utilizing the scanner in January "Tech-Tips" and the circuitry shown, the dealer can provide dual channel scanning via a DC remote control station.

The circuit shown is used in conjunction with a non-polarized remote adaptor (partially shown in the dotted lines). When the DC remote is "hung-up," and no voltage across the phone lines, the dual channel scanner scans the frequencies and automatically locks on the channel when a message is received. Lifting the remote "off-hook" locks the scanner onto the channel selected by the polarity switch, S₁, providing constant receive/monitor operation of the specific channel.

Points T¹ and T² are connected to the CH¹ and CH² transmit xtals respectively. L¹ and L² are connected to the anodes of the scanner LEDs L¹ and L². Point X is connected to the anode of the scanner squelch gate diode.

Q¹ and Q² are NPN switches and K¹ and K² are DPDT 12 volt relays. Use 1N4148 rects and the resistors shown should be approximately 10K to provide minimum load across the input line.



LES BELLES

By Rose Ellen-N2RE

Tomatoes are low in calories and an excellent source of vitamin C and also are now in season.

Tomatoes are beauties when prepared and served properly:

COLD STUFFED TOMATOES

Cut out stem-end core of unpeeled tomatoes. Starting at center of other end cut into quarters or eithths 3/4 of way down. Pull gently apart. Fill with creamy potato salad, tuna salad, cole slaw, chicken salad, cottage cheese or begetable salad. Serve in lettuce cups and garnish.

BAKED STUFFED TOMATOES

- | | |
|--|--|
| 4 large, ripe tomatoes | Salt and petter to taste |
| 1 10-1/2-ounce can
cream of mushroom
or chicken soup | Stuffing
Buttered soft bread crumbs |

Cut a thin slice from the stem end of unpeeled tomatoes. Scoop out centers, leaving outer wall. Reserve centers. Pour soup into shallow baking dish and place tomato shells in dish. Sprinkle inside of tomatoes with salt and pepper. Fill with any one of the following stuffings. Then, sprinkle with buttered bread crumbs. Bake in pre-heated oven (375°F). for about 30 minutes --- Makes 4 servings.

VEGETABLE STUFFING: Simmer tomato centers and combine with one or more cooked vegetable: Lima beans, chopped broccoli or spinach, peas or green beans. Season to taste with salt, pepper and/or onion salt. Fill tomatoes.

MACARONI OR RICE STUFFING: Cook 1 chopped onion, 1/2 chopped green pepper and 1/4 cup chopped celery in 2 tablespoons shortening for about 5 minutes. Combine with 2 cups cooked macaroni or rice. Season to taste with salt and pepper. Fill tomatoes.



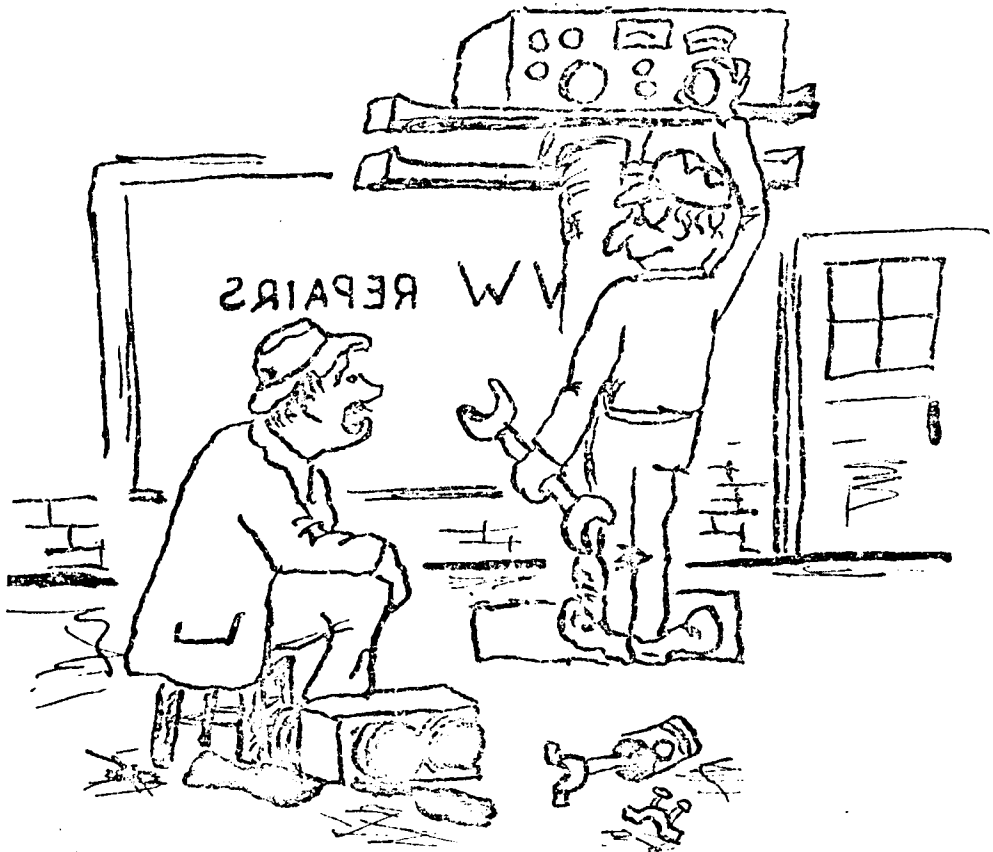
"O.K., NOW WHAT ELSE CAN WE DO WITH TOMATOES?"

If you have more tomatoes in your garden than you and your family can use they may be frozen as well as canned. Pack tomatoes in a moisture-proof container within 1 inch of top. Place top on container and freeze. Tomatoes that are to be frozen are to be used only for cooking or seasoning tomatoes as they will not be solid when thawed.

COOK CAREFULLY, SERVE LOVINGLY,
EAT JOYFULLY!

See you next month,

Rose Ellen



BEEN REPAIRING RADIOS FOR LONG??